

SATAjet® 100 B F RP®/HVL P, SATAjet® 100 B P



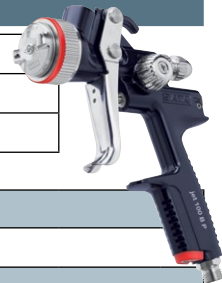
SATAjet 100 B F HVL P				
Technical Data				Inlet pressure: 29 psi
				Air consumption: 12.4 cfm @ 36 psi
				Spray distance: 5-7 in
Nozzle	1.4	1.7	1.9	2.1
Standard gun with 0.6 l QCC PVC cup				
Order No.	146373	145722	145730	145748
Standard gun with 0.75 l QCC aluminum cup				
Order No.	147447	146175	146183	147454
Standard gun with 1.0 l aluminum cup				
Order No.	146399	146191	146209	147462
Test Air Cat	157214			
Nozzle	1.4	1.7	1.9	2.1
Nozzle Set				
Order No.	146381	145417	145425	145433



SATAjet 100 B F RP				
Technical Data				Inlet pressure: 7-29 psi
				Air consumption: 10.2 cfm @ 29 psi
				Spray distance: 5-7 in
Nozzle	1.4	1.6	1.8	2.0
Standard gun with 0.6 l QCC PVC cup				
Order No.	146969	145193	145201	145219
Standard gun with 0.75 l QCC aluminum cup				
Order No.	153023	146134	146142	147421
Standard gun with 1.0 l aluminum cup				
Order No.	153460	146159	146167	147439
Nozzle	1.4	1.6	1.8	2.0
Nozzle Set				
Order No.	146977	145250	145268	145276



SATAjet 100 B P	
Technical Data	Inlet pressure: 29 psi
	Air consumption: 8.7 cfm @ 29 psi
	Spray distance: 18-23 cm / 5-7 in
Nozzle	P
Standard gun with 0.6 l QCC PVC cup	
Order No.	145185
Standard gun with 0.75 l QCC aluminum cup	
Order No.	146217
Standard gun with 1.0 l aluminum cup	
Order No.	147470
Nozzle	P
Nozzle Set	
Order No.	145284

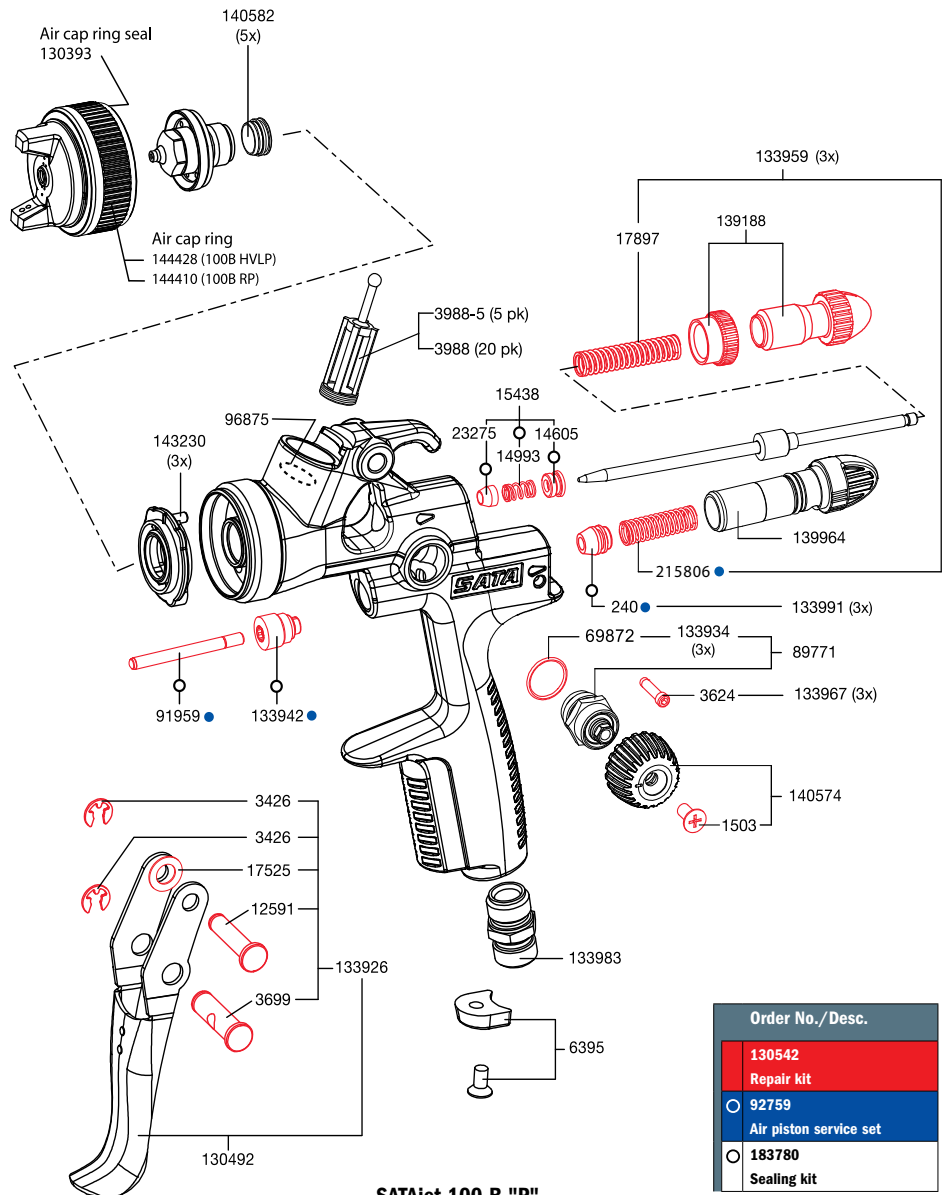


Technical modifications and printing errors reserved

Spare Parts SATAjet® 100 B

Order No./Desc.

240	Packing, air piston
901	Wrench, universal spanner
1503	Screw, fan control
1826	Non-drip device (4 pk)
3426	Circlip, pin
3509	Brush, large standard
3624	Pin, air micrometer
3699	Pin, lower trigger
3988	Sieve, pk of 20
3988-5	Sieve, pk of 5
6007	Brush, nozzle cleaning, pk of 10
6395	Disc, CC (standard), pk of 4
6585	Insert, aluminum cup
9050	Tool kit
9647	Allen wrench, 4mm
12591	Pin, upper trigger
14605	Bushing, needle packing
14993	Spring, needle packing
15438	Kit, needle packing
17525	Washer, tension spring
17897	Spring, paint needle
23275	Packing, needle
27243	Cup, 0.6L QCC plastic
43638	Puller, wire air ring
49395	Lid, 0.6L plastic
49437	Cup Lid Drip Ring, 0.6L, (5 pk)
69872	O Ring, fan control
71555	Lid, plastic, (3 pk)
89771	Control spindle, flat/round, w/"O"ring
82826	Kit, air piston service
91959	Piston, air rod
92759	Service set, air piston
96875	Seal, inner cup
130393	Seal, air cap ring
130492	Kit, trigger service complete
130542	Repair kit, SATAjet 100 B series
133884	Kit, battery, cover w/gasket
133926	Kit, trigger sleeve
133934	O ring, fan control, (3 pk)
133942	Bushing, air piston
133959	Kit, spring, (3 ea. of #215806 & #17897)
183780	Sealing kit
215806	Spring, air piston

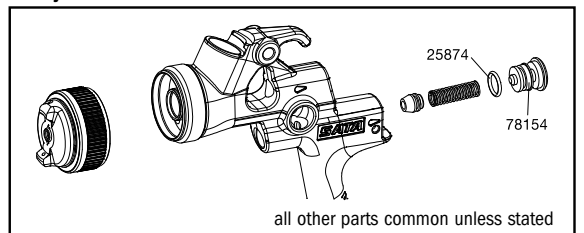


Order No./Desc.
130542 Repair kit
92759 Air piston service set
183780 Sealing kit

Order No./Desc.

133967	Pin, air micrometer, (3 pk)
133983	Fitting, standard 1/4" air inlet
133991	Packing, air piston, (3 pk)
139188	Kit, fluid control and lock nut
139964	Air micrometer, HVLP & RP only
140574	Knob, fan control w/ screw
140582	Fluid tip seal (5 pk)
143230	Air distribution ring (3 pk)
144410	Air cap ring with seal (RP)
144428	Air cap ring with seal (HVLP)
Only with SATAjet 100 B "P" version:	
25874	"O" ring 9 x 1.5
78154	Closing cap w O ring seal

SATAjet 100 B "P"



9050 Tool Kit

901	Universal spanner wrench
3509	Cleaning brush
9647	Allen/Torx wrench
64543	Allen wrench
43638	Extraction tool

Technical modifications and printing errors reserved