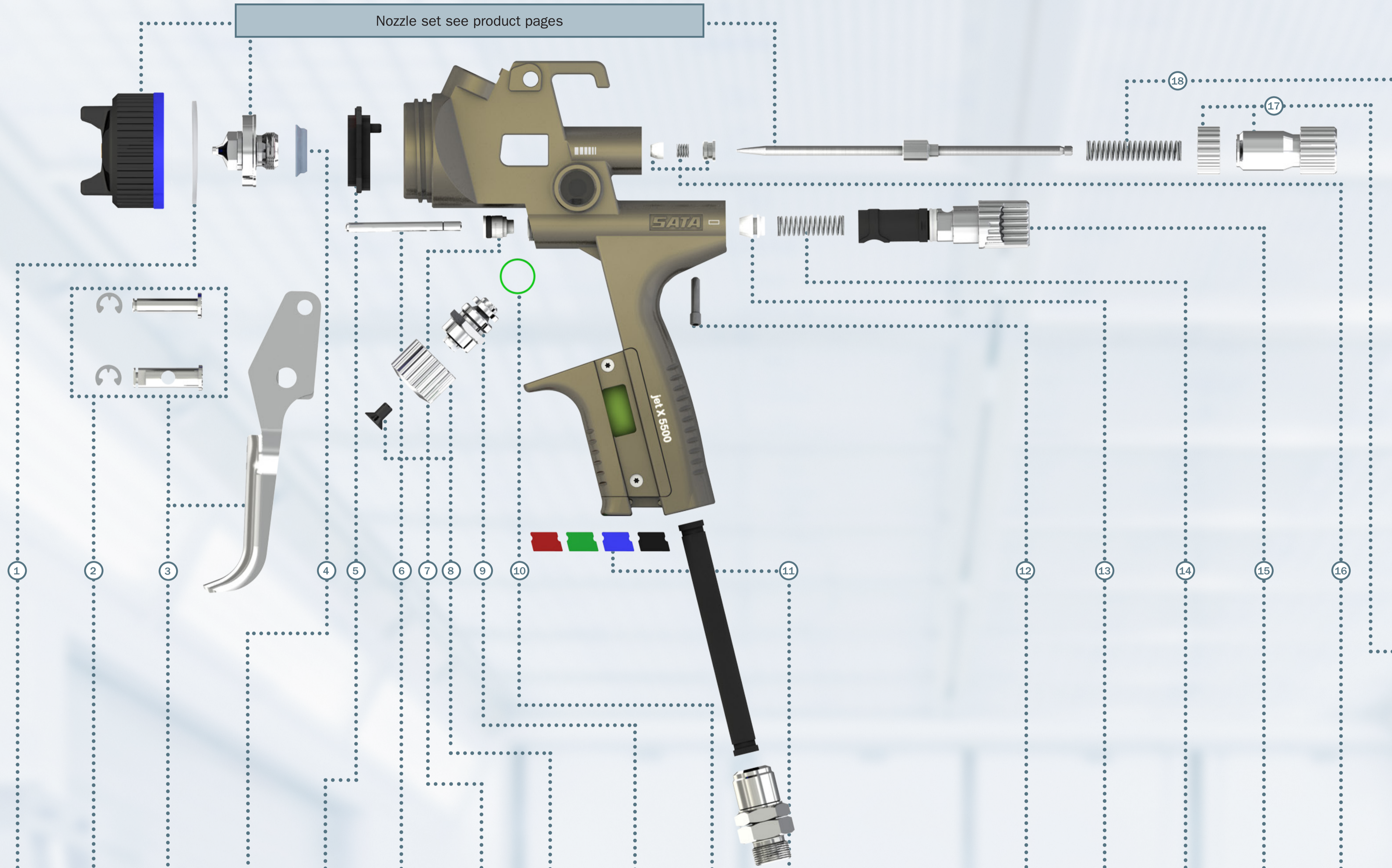


Spare parts for SATA spray guns with gravity flow cup

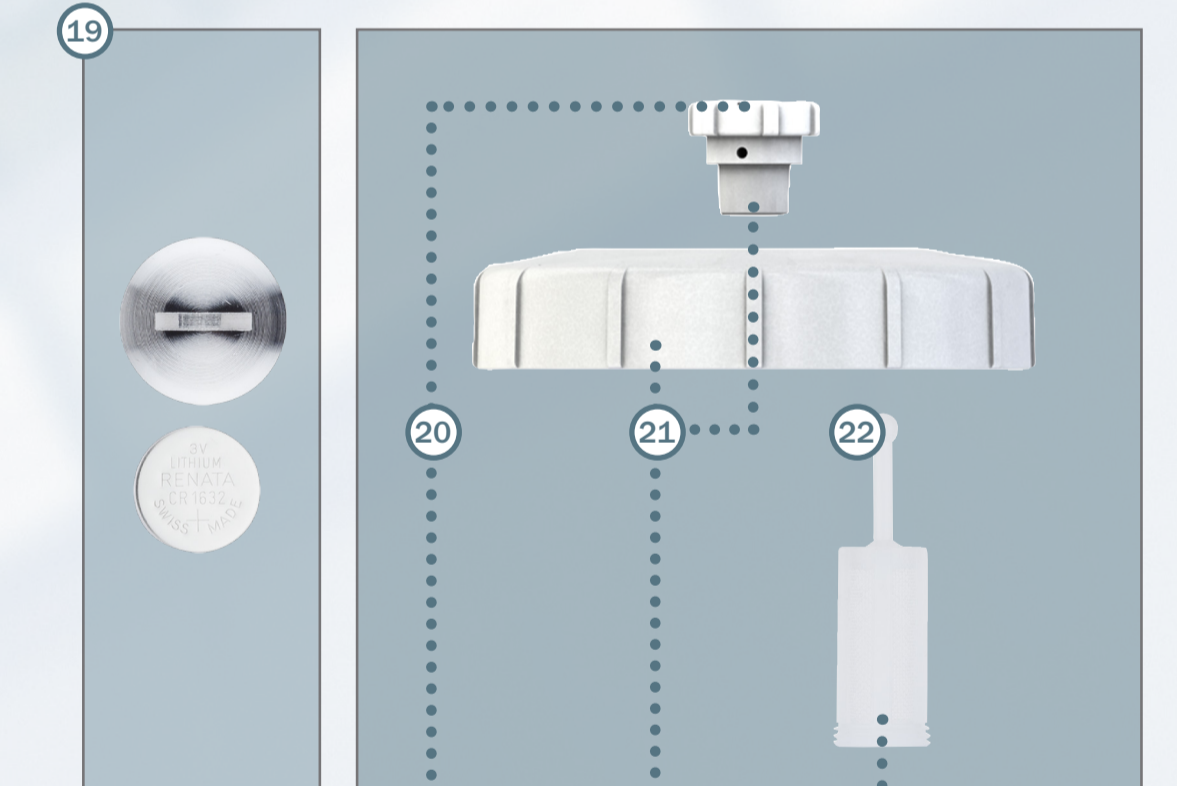


German Engineering



Air connection piece						
Spray gun	Standard jet X 5500 PHASER	Standard	Standard swivel joint	DIGITAL	DIGITAL swivel joint with seal retainer and sleeve	Seal retainer with sleeve*
X 5500	-	134098	19745	211490	211516	211441
X 5500 PHASER	1092981	-		-	-	-
5000 B	-	134098	19745	211490	211516	211441
4000 B				166116	203422	165985
100 B	-	133983	16162	-	-	-
1000 B	-			-	-	-
minijet 4400 B	-			-	-	-

* only for DIGITAL with swivel joint



Gun type	Description	1	2	3	4	5	6	7	8	9	10	11
	X 5500	Seal ring		211458	211433					1057357		
X 5500 PHASER	Trigger sleeve kit	211508	-	1092973					1092999	213025		211409
5000 B	Trigger kit		211458	211433					86843			
4000 B	Seal element fluid tip	172429	166009	165977	140582				133942		133934	
100 B	Air distribution ring				211425							
1000 B	Air piston rod	130393	133926	130492	165951					91959		6395
minijet 4400 B	Seal retainer	200907	199463	198473	199455	197467	198408	199414	200162	198549	199471	197418
	Control knob								140574	89771		
	Spindle with seal											
	Spindle seal											
	CCS clips											

Gun type	Description	12	13	14	15	16	17	18	19	20	21	22
	X 5500	Locking screw										
X 5500 PHASER	Air piston head											
5000 B	Pressure spring air piston											
4000 B	Air micrometer				211466		211474		1057414			
100 B	Paint needle packing				1093012		1093004		-			
1000 B	Material flow control				211466		211474		213769			
minijet 4400 B	Pressure spring paint needle				166017		166025		165993			
	Battery kit		133991	133959*				133959*				
	Anti-drip device					15438			1826			
	Screw-on lid								49395			
	Strainer 300µm											
	Description											
	X 5500											
	X 5500 PHASER											
	5000 B											
	4000 B											
	100 B											
	1000 B											
	minijet 4400 B											

* in a set